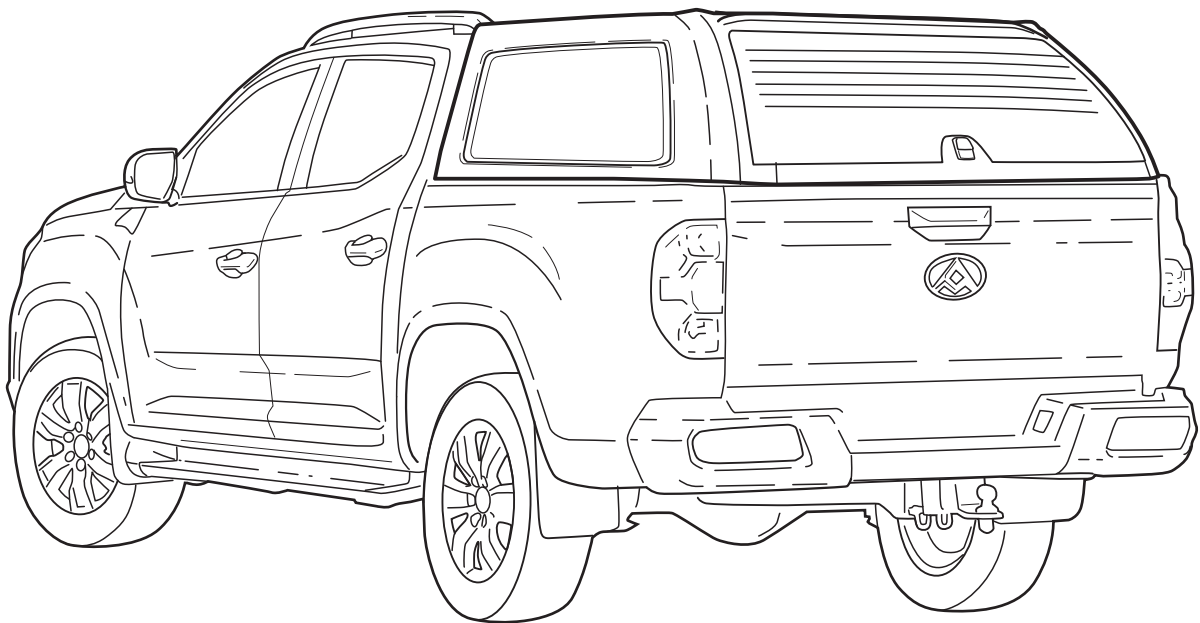




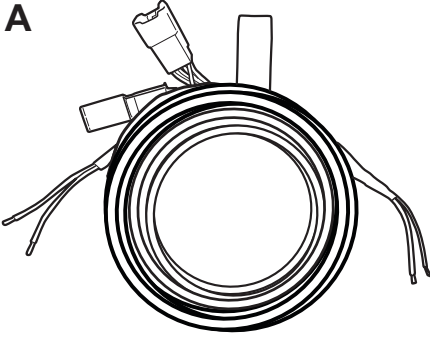
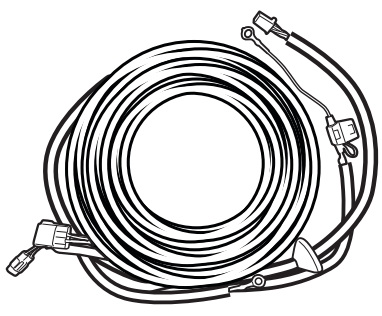
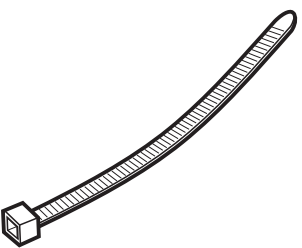
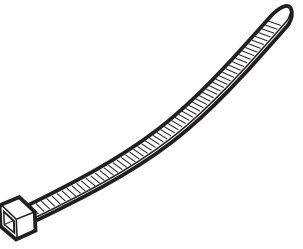
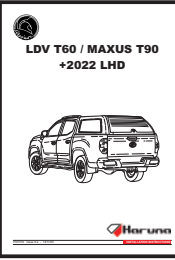
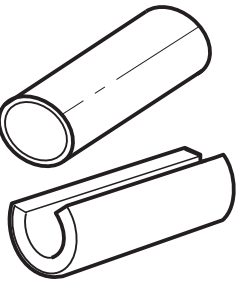
LDV T60 / MAXUS T90 +2022 LHD



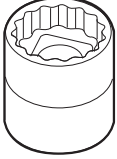
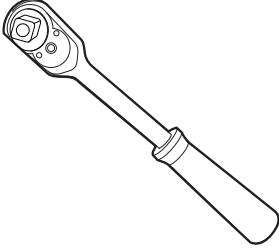
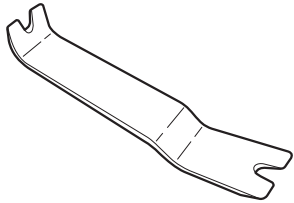
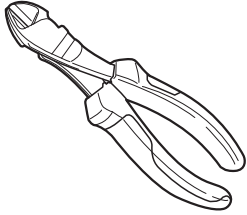
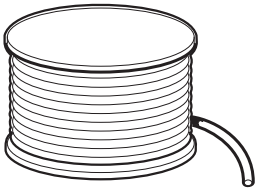
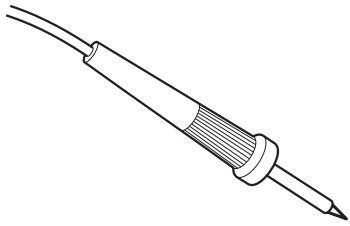

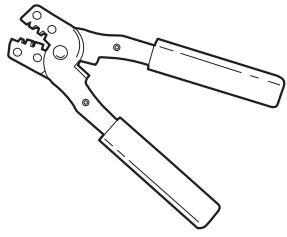
General Notes

- Read through the fitting instructions before installation of accessory.
- Ensure all recyclable components and packaging are discarded and recycled following local recycling regulations.
- Safely store and protect any removed vehicle components.

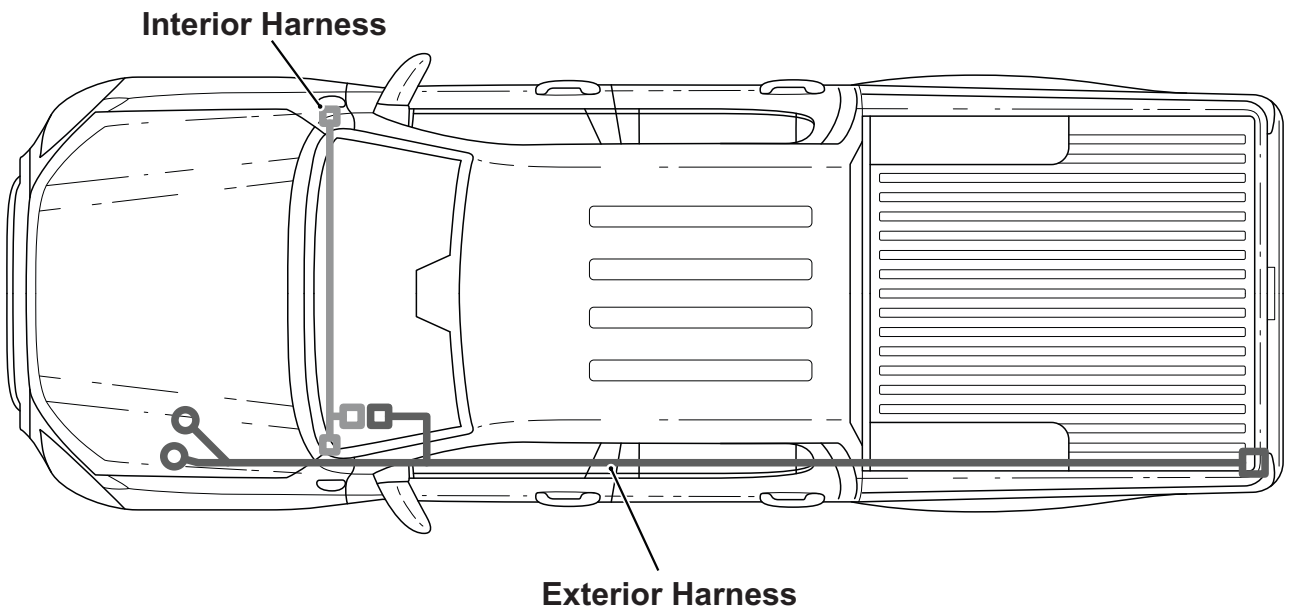
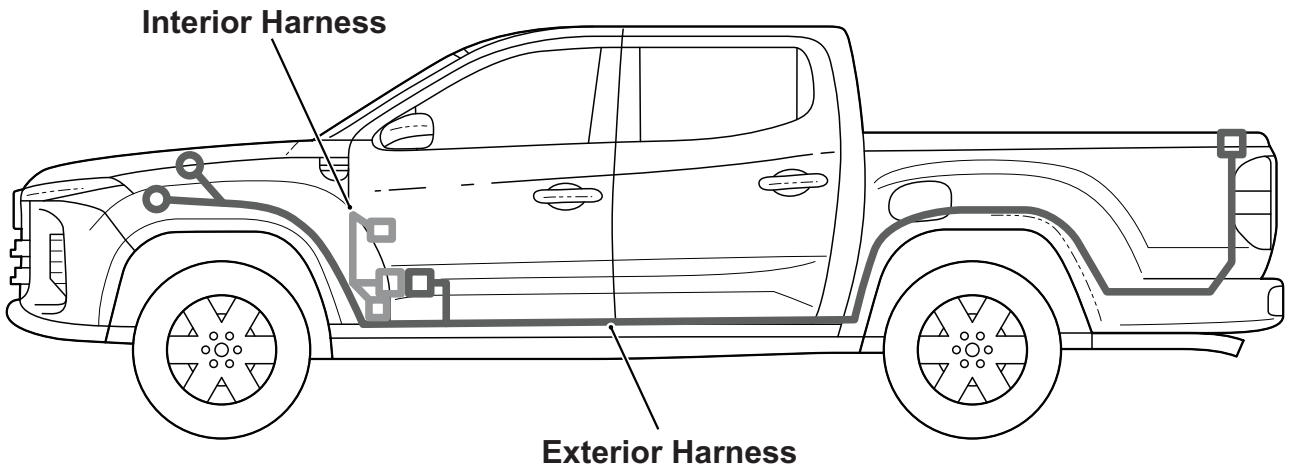
Parts Supplied

<p>A</p>  <p>Interior Harness</p>	<p>B</p>  <p>Exterior Harness</p>	<p>C</p>  <p>15x Cable Ties - 200mm</p>
<p>D</p>  <p>5x Cable Ties - 500mm</p>	<p>E</p>  <p>Fitting Instructions</p>	<p>F</p>  <p>4x Splice Kit</p>

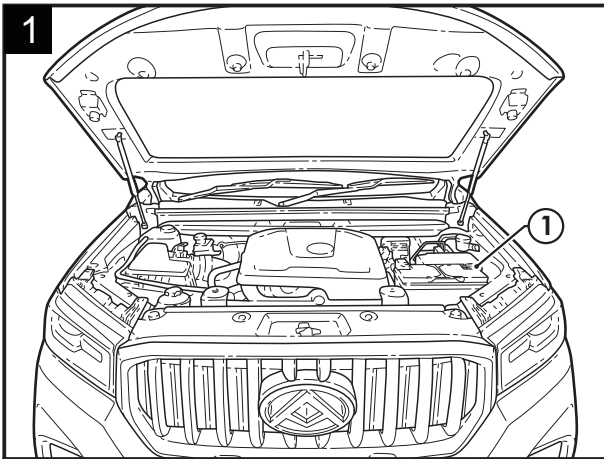
Tools Used

<p>A</p>  <p>10mm</p> <p>Socket</p>	<p>B</p>  <p>Ratchet</p>	<p>C</p>  <p>Trim Removal Tool</p>
<p>D</p>  <p>Side Cutter</p>	<p>E</p>  <p>Solder</p>	<p>F</p>  <p>Soldering Iron</p>
<p>G</p>  <p>Multimeter</p>	<p>H</p>  <p>Crimpers</p>	

Harness Layout



LDV T60 / MAXUS T90 +2022 LHD



Important



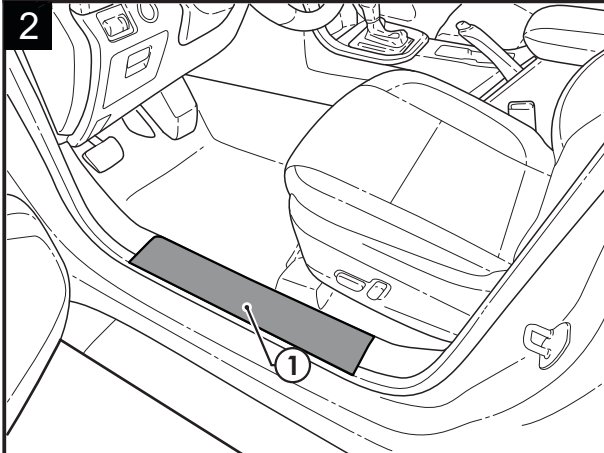
Always refer to the vehicle's Workshop Manual when removing vehicle components.

Important

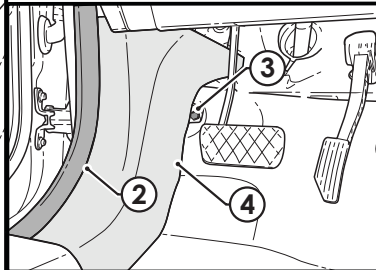


Note down the clock and radio settings.

- In the engine bay, disconnect the negative battery terminal (1).

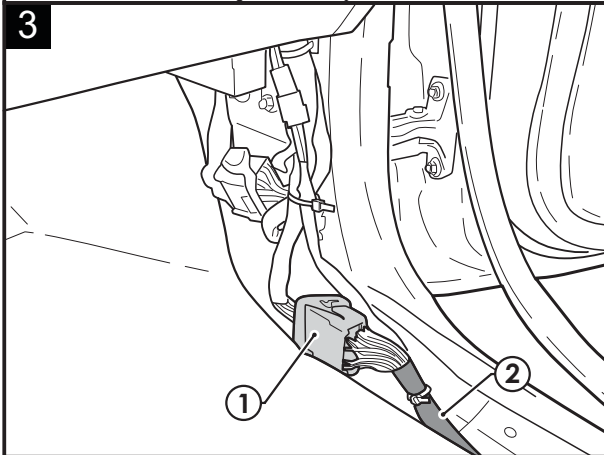


- Gain access to the LHS front driver side kick panel.
- Remove the LHS front door Scuff Plate (1).
- Dislodge the rubber door seal (2).
- Remove the retaining nut (3) from the LHS kick panel (4).



- Remove the LHS Kick Panel Trim (4).

Repeat for RHS



- Gain access to RHS kick panel, locate the 57-way connector (1) and disconnect the female connector.
- Cut the PVC sleeve (2) enough to expose 200mm on the vehicle side wiring loom.
- Locate the '**BROWN**' and '**GREY**' wires as per Table 1.

REAR VIEW

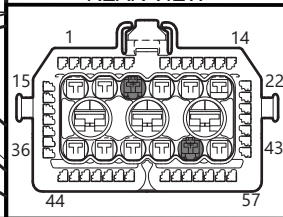
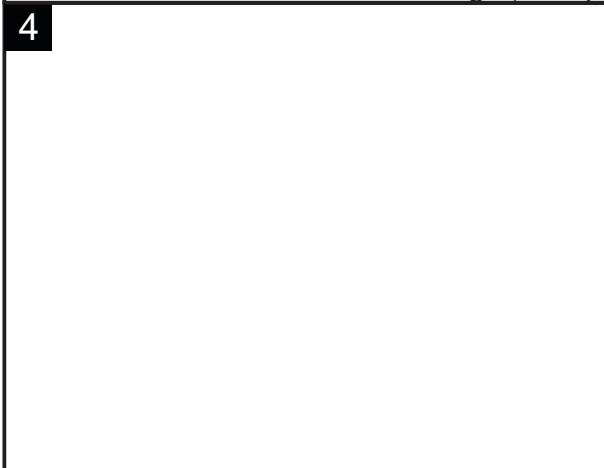


Table-1 (Rear View)

Terminal Position	Wire Colour
18	BROWN
41	GREY



- Approximately 100mm back from the connector, cut the '**BROWN**' and '**GREY**' wires located in previous step.
- Strip 20mm off both ends of the wires.

LDV T60 / MAXUS T90 +2022 LHD

- Cut the Wire and feed the adhesive heat shrink on one end of the wire.
- Using the supplied splice terminal (A), non- insulated terminal crimpers (B), crimp and solder the pre stripped 'BROWN' wire on the canopy harness to make a permanent connection (C).
- Cover the solder joint with heat shrink (D).
- Repeat steps for 'GREY' wire.

Important

Perform a pull test on the crimp to ensure the proper operation of the system.

Important

Make sure 'BROWN' and 'GREY' wires are spliced towards vehicle front.

- Tape over section exposed in Step 3 up to 50mm from the connector.
- Re-connect the 57-way connectors together.

- Route the Interior Harness to the LHS kick panel.
- Then secure the Internal Harness (1) inside RHS & LHS kick panel and above RHS & LHS foot-well using five supplied cable ties (2).
- Trim any excess Cable Tie length.

Important

Make sure the harness is not secured to or in contact with any moving parts or mechanisms.

- Gain access to RHS kick panel, locate the 40-way connector (1) and disconnect the female connector.
- Cut the PVC sleeve (2) enough to expose 200mm on the vehicle side wiring loom.
- Locate the 'LIGHT BLUE' and 'RED/WHITE' wires as per Table 1

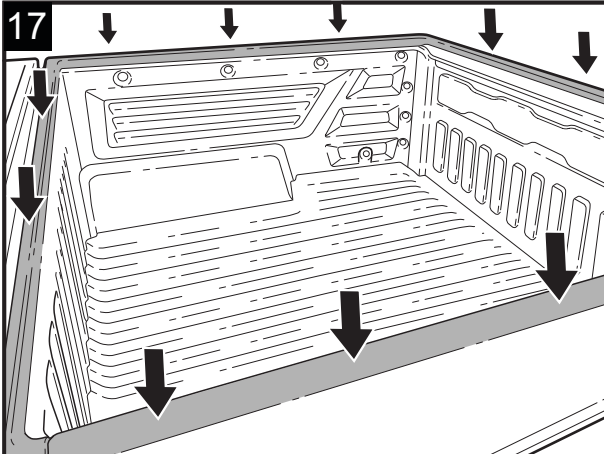
Table-3 (Rear View)	
Terminal Position	Wire Colour
A1	LIGHT BLUE
D4	RED/WHITE

FI21372 Issue 1 - 1/12/23

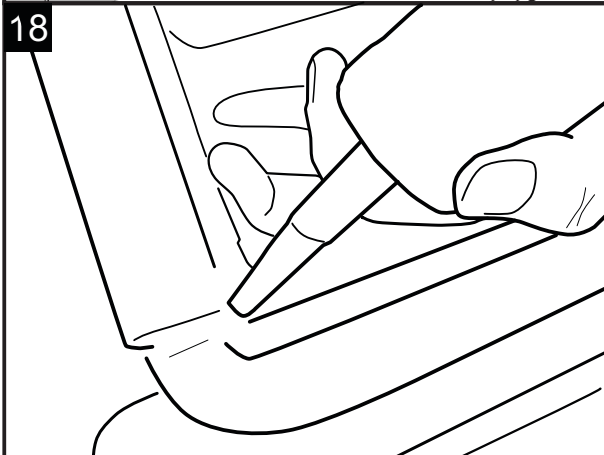
Page 06 of 10

<p>9</p>	<ul style="list-style-type: none"> • Approximately 100mm back from the connector, cut the 'LIGHT BLUE' and 'RED/WHITE' wires located in previous step. • Strip 20mm off both ends of both wires.
<p>10</p>	<ul style="list-style-type: none"> • Cut the wire and feed the adhesive heat shrink on one end of the wire. • Using the supplied splice terminal (A), non- insulated terminal crimpers (B), crimp and solder the pre stripped 'LIGHT BLUE' wire on the canopy harness to make a permanent connection (C). • Cover the solder joint with heat shrink (D). • Repeat steps for 'RED/WHITE' wire. <div data-bbox="699 842 1474 958" style="border: 1px solid black; padding: 5px;"> <p>Important</p> <p>Perform a pull test on the crimp to ensure the proper operation of the system.</p> </div> <div data-bbox="699 963 1474 1079" style="border: 1px solid black; padding: 5px;"> <p>Important</p> <p>Make sure 'LIGHT BLUE' and 'RED/WHITE' wires are spliced towards vehicle front.</p> </div>
<p>11</p>	<ul style="list-style-type: none"> • Tape over section exposed in Step 3 up to 50mm from the connector. • Reconnect the 40-way connectors together.
<p>12</p>	<ul style="list-style-type: none"> • Gain access to the engine bay. • Route the power and ground ring terminals on the Exterior Harness (1) around the fuse box (2). • Secure the Exterior Harness power ring terminal (3) to the positive battery terminal (4) using the existing fastener. • Connect the negative black wire ring terminal (5) to the vehicle earthing point (6). • Secure the Exterior Harness (1) to the existing vehicle harness using two supplied Cable Ties (7). • Trim any excess Cable Tie length. <div data-bbox="699 1863 1474 1980" style="border: 1px solid black; padding: 5px;"> <p>Important</p> <p>DO NOT secure the Exterior Harness to the vehicle FUEL LINES OR BRAKE LINES. When positioned correctly the harness should not touch these vehicle lines.</p> </div>

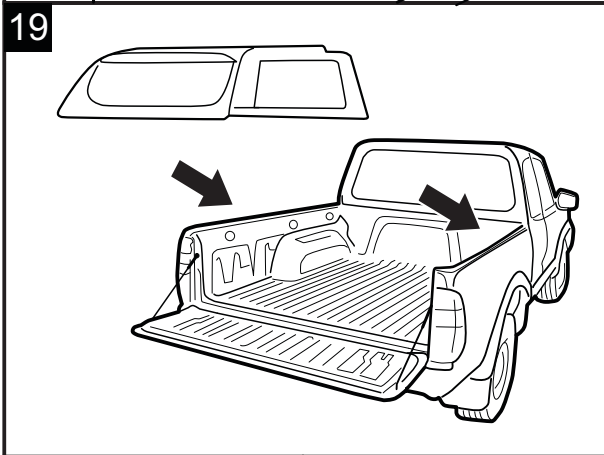
<p>13</p>	<ul style="list-style-type: none"> • Continue routing the Exterior Harness (1) from the engine bay down onto the top of the LHS Chassis rail, following the existing vehicle harness. • Routing the Exterior Harness (1) along the top of LHS chassis rail towards the rear of the vehicle, following existing vehicle harness. • Secure harness Exterior Harness (1) to existing vehicle harness, approximately every 300mm using the supplied cable ties (2). • Trim any excess Cable Tie length. <p>Important</p> <p>DO NOT secure the Exterior Harness to the vehicle FUEL LINES OR BRAKE LINES. When positioned correctly the harness should not touch these vehicle lines.</p>
<p>14</p>	<ul style="list-style-type: none"> • At the driver foot well area, lift up the carpet to expose the 25mm vehicle blanking grommet (1). • Remove the vehicle blanking grommet (1) and discard. • Feed the Exterior Harness 6-way connector up through the hole and seat the 25mm harness grommet in the factory hole. <p>Note: Feed a guide wire from the driver footwell through the floor grommet hole and tape to harness. Pull the guide wire back up through the grommet hole.</p> <p>Important</p> <p>Ensure the grommet is seated properly in the factory hole to ensure a water tight seal is made.</p>
<p>15</p>	<ul style="list-style-type: none"> • Route the Exterior Harness to the LHS kick panel area. • Connect the Interior & Exterior Harness together. • Secure it to the existing vehicle harness using the supplied cable ties.
<p>16</p>	<ul style="list-style-type: none"> • Continue routing the canopy harness down the length of the vehicle towards the rear canopy access point. • Secure the vehicle wiring to the vehicle using the existing cable ties.



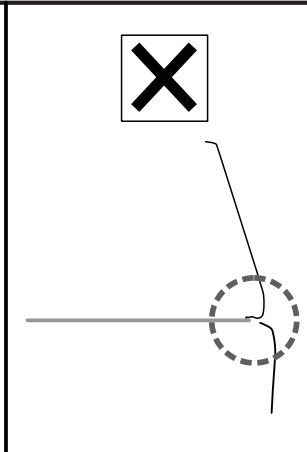
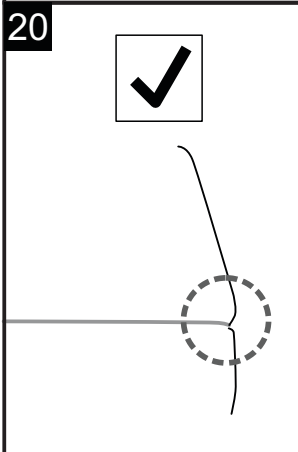
- Degrease the bed rail.



- Apply silicone in the connections of the front bed area.

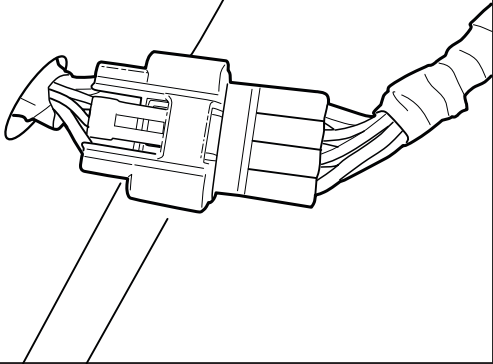


- Position with 4 people the hardtop with open tailgate on the vehicle.



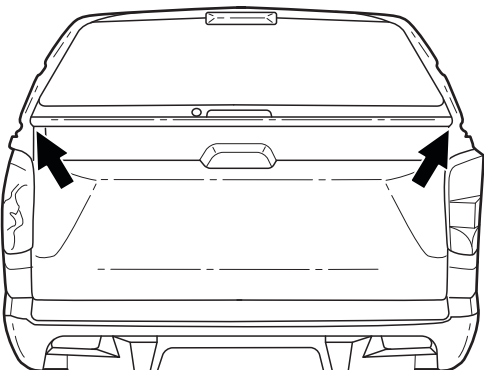
- The rubber of the hardtop tailgate has to slightly touch the car tailgate.

21



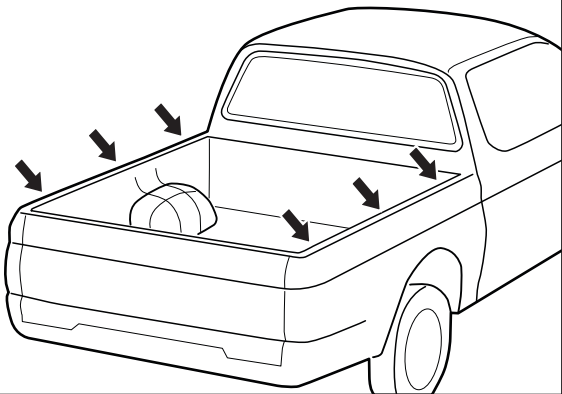
- Connect the 8-way female canopy interfacing connector of chassis harness with 8-way male connector on the canopy harness.

22



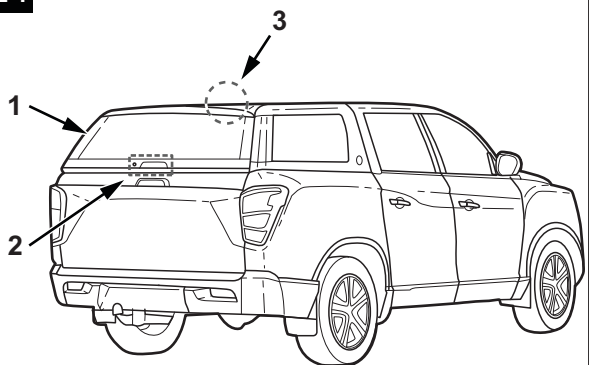
- Close the tailgate of the hardtop and ensure that it fits nicely with the tailgate of the car.

23



- Secure the hardtop at the indicated places with the supplied clamps.

24



- Test the following points:
 1. Rear window defroster
 2. Central locking system
 3. Interior light