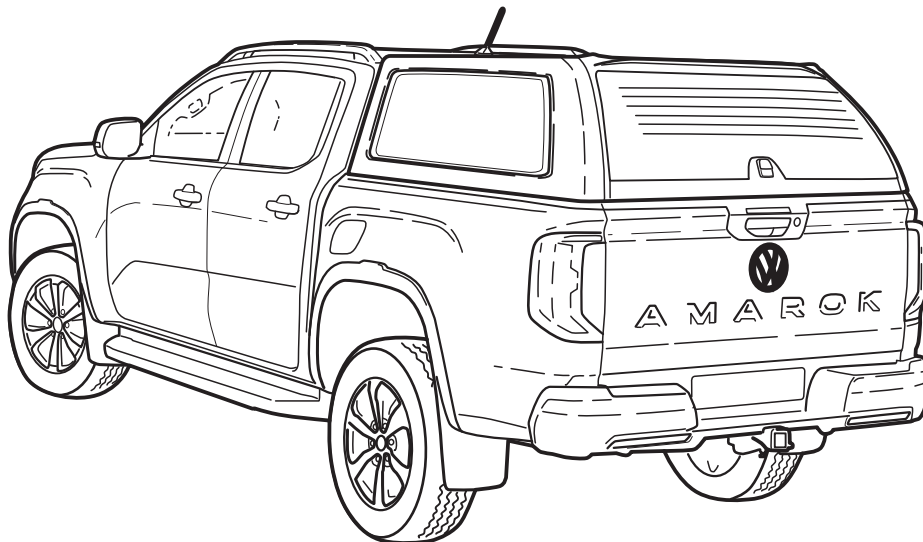
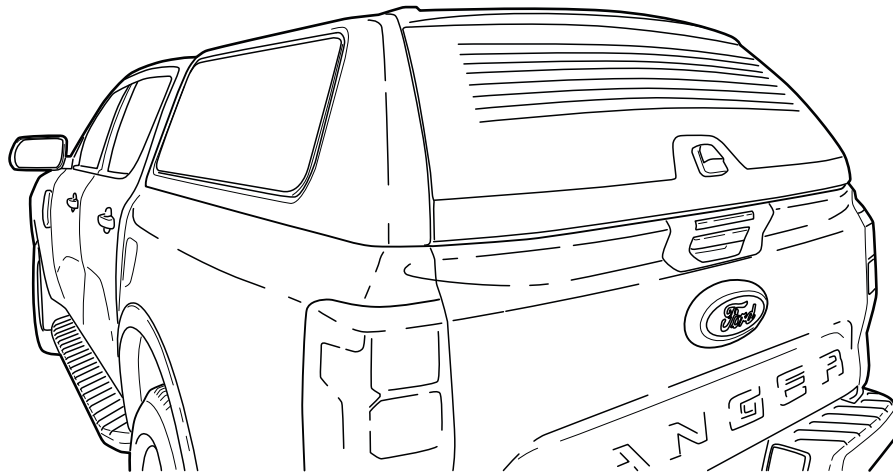




FORD RANGER +2022

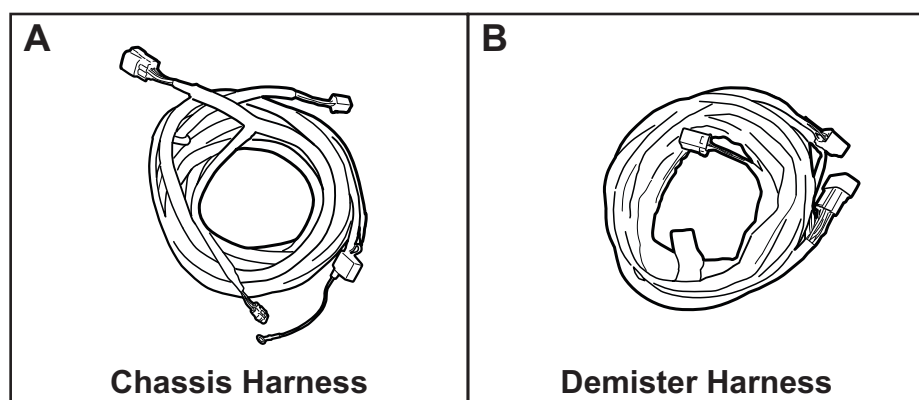
VOLKSWAGEN AMAROK +2023



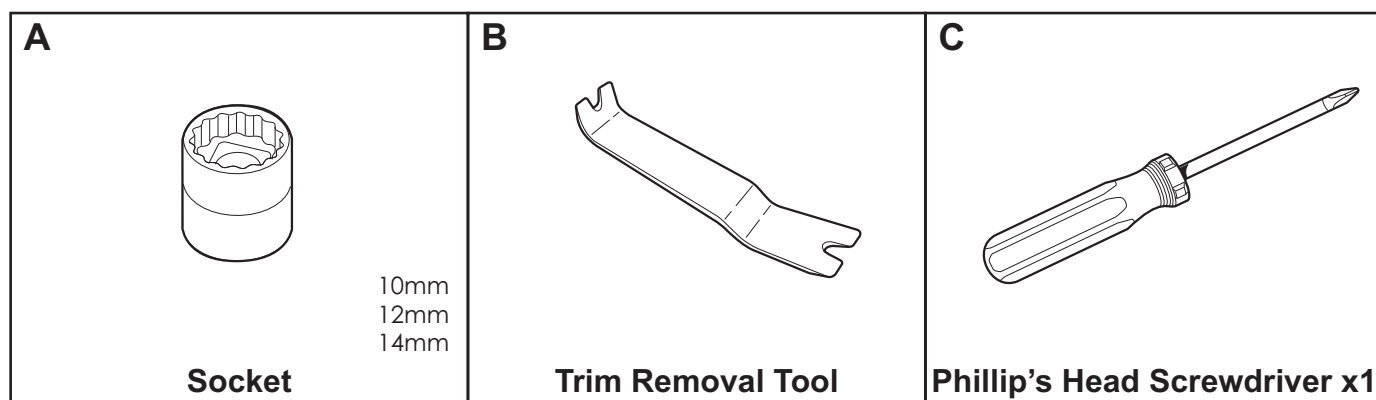
General Notes

- Read through the fitting instructions before installation of accessory.
- Ensure all recyclable components and packaging are discarded and recycled following local recycling regulations.
- Safely store and protect any removed vehicle components.
- In order to conform with the Ford Warranty Policy, a genuine Ford J Brace Strengthening Kit must be installed. Check further details with your local Ford Dealer.

Harnesses Supplied

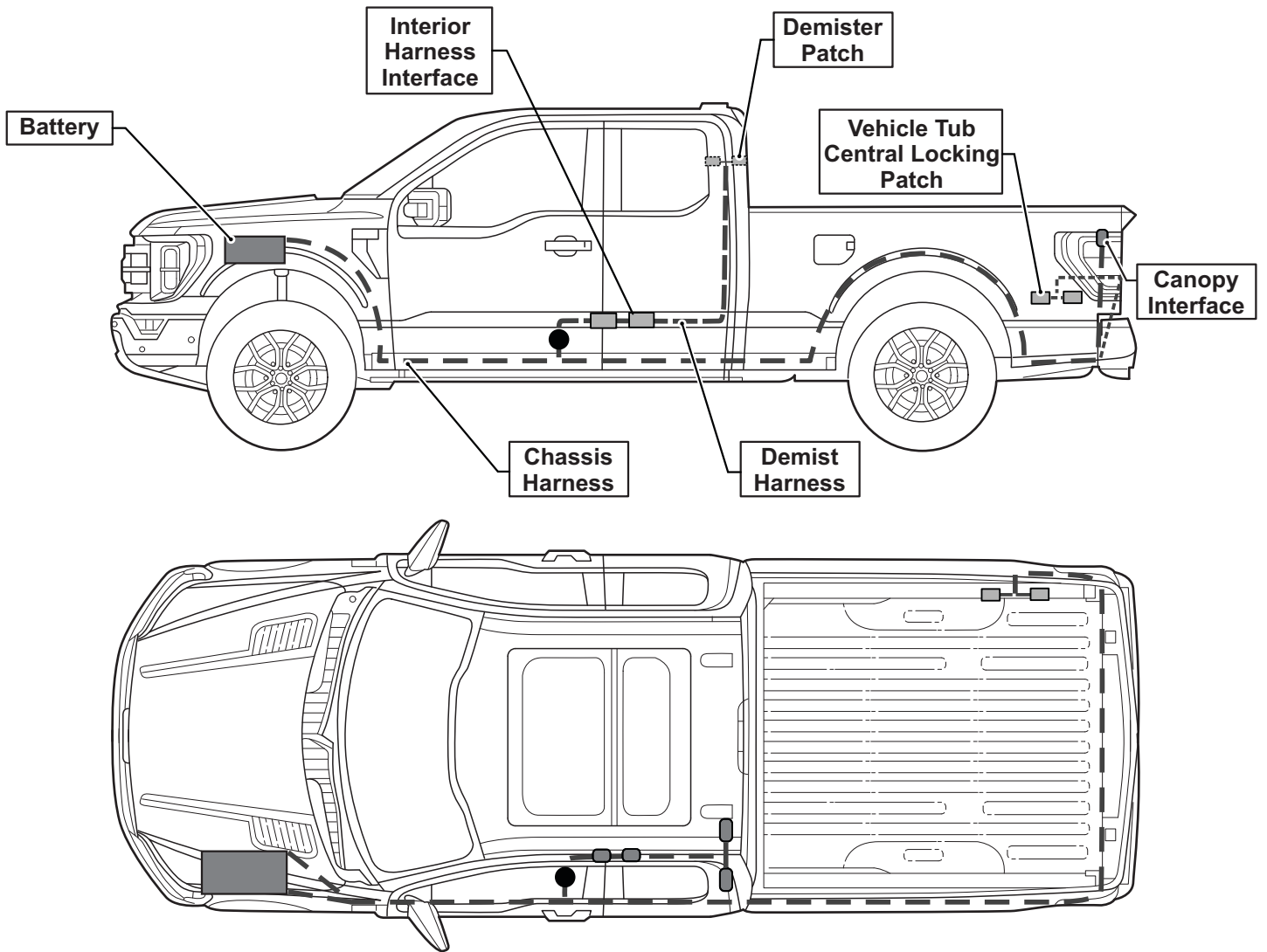


Tools Used

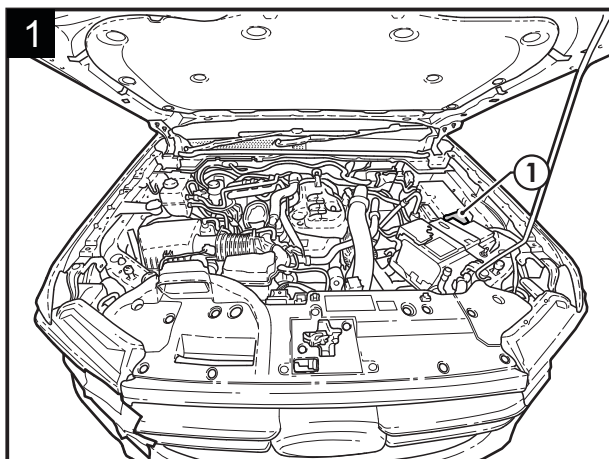


Harness Layout

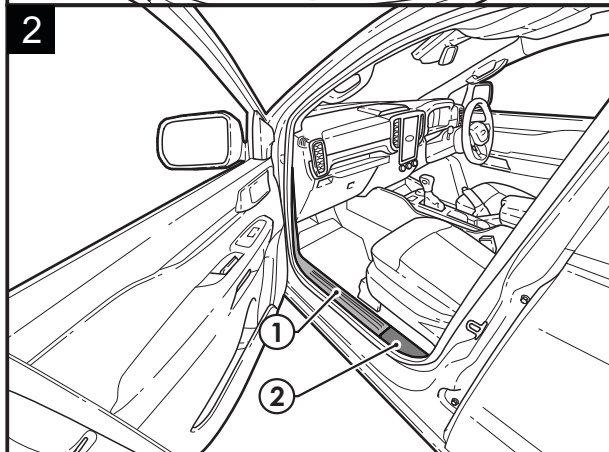
Note: Vehicle shown is a Ford Ranger, the same layout applies for Volkswagen Amarok.



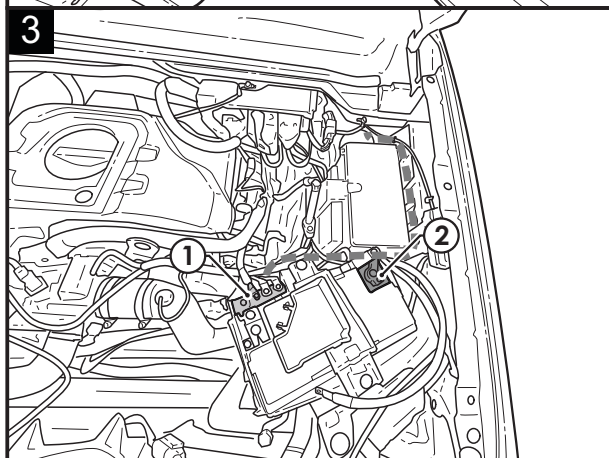
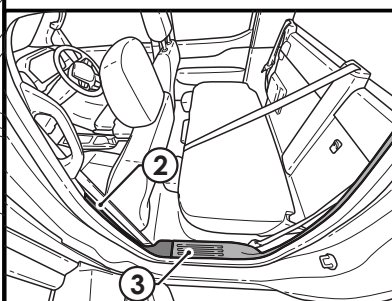
FORD RANGER +2022 / VOLKSWAGEN AMAROK +2023



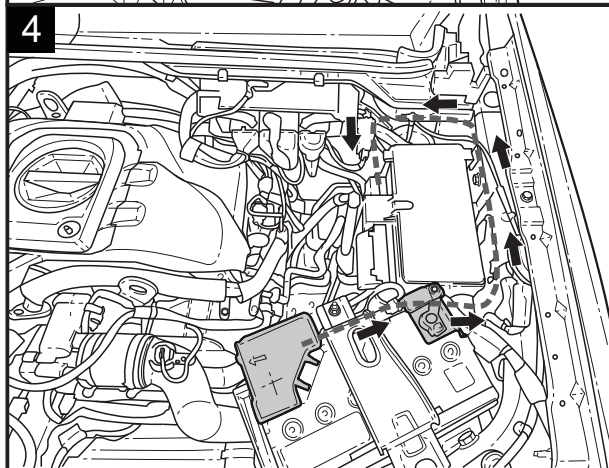
- Note down all clock and radio settings.
- In the Engine Bay disconnect the negative battery terminal (1).



- Inside the car, remove LHS front scuff plate (1), B-pillar trim (2) and LHS rear scuff plate (3).

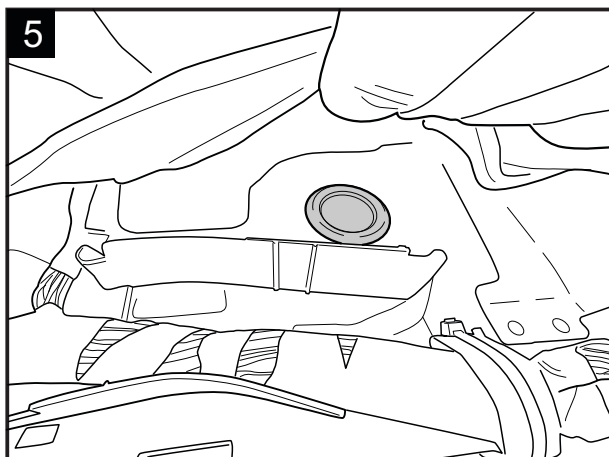


- Connect the chassis harness positive (1) to the positive and negative to the negative terminals (2) of the battery.

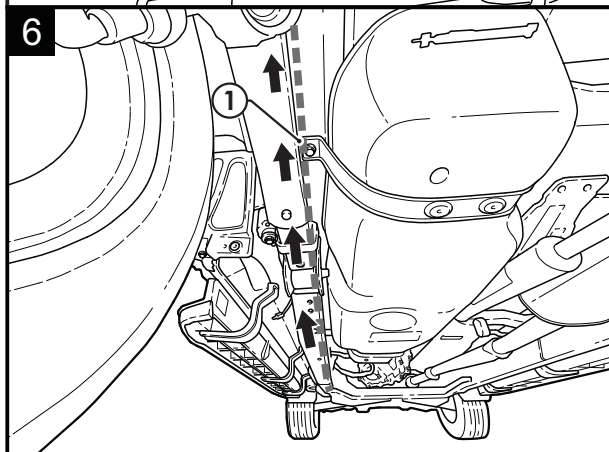


- Route harness down the engine bay following existing vehicle harness to LHS rear of the car.

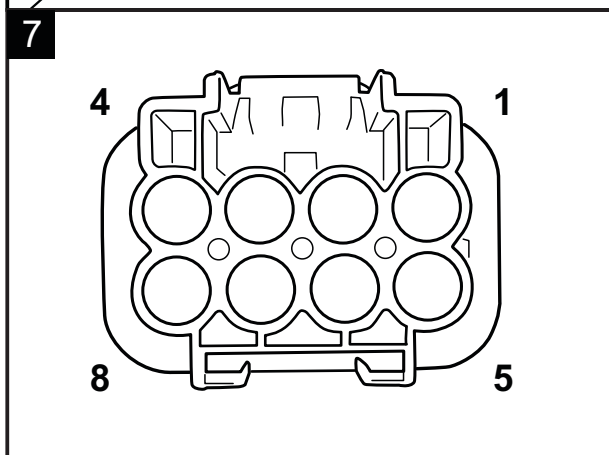
FORD RANGER +2022 / VOLKSWAGEN AMAROK +2023



- Under the LHS passenger seat, remove the blanking grommet (1) located under the carpet and feed in the grommet branch of chassis harness while making a watertight seal.



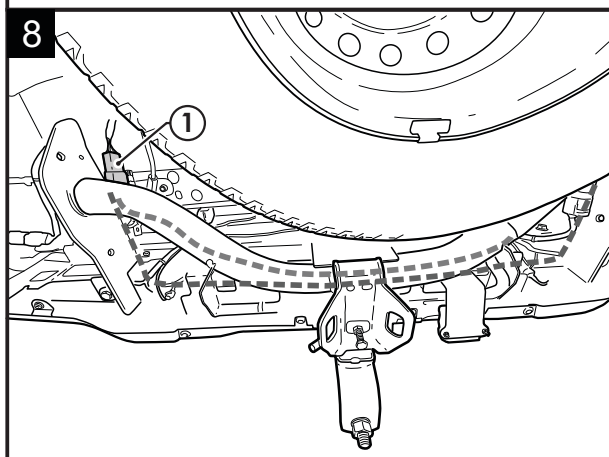
- Continue routing the power harness to the LHS rear following the chassis rail securing it to the existing vehicle harness at every 300mm using supplied cable ties.



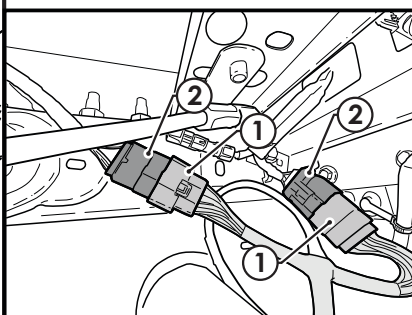
- At the LHS rear, route the canopy branch over the tail lamp and house the loose terminals into the supplied 8-way connector, following the table below.

Table (Rear view)

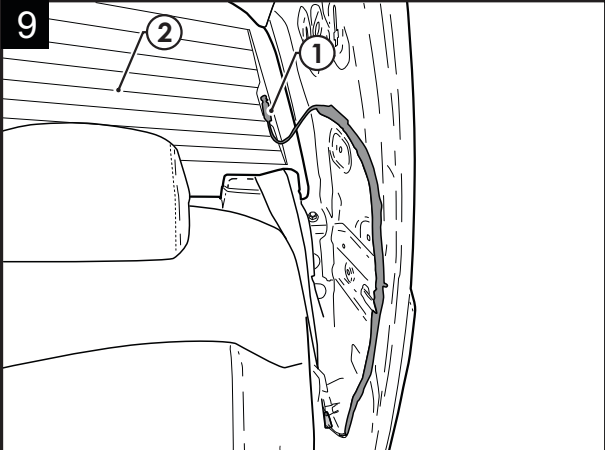
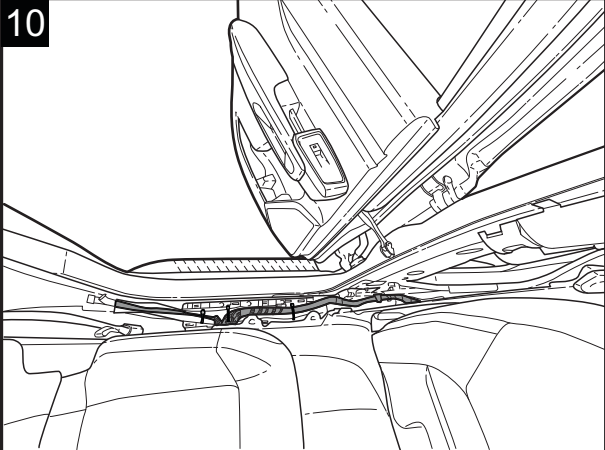
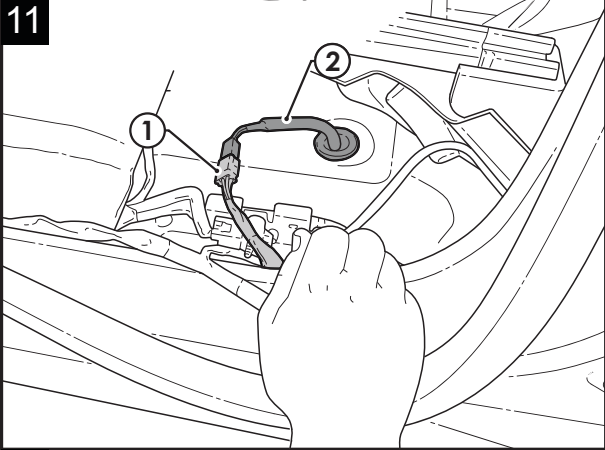
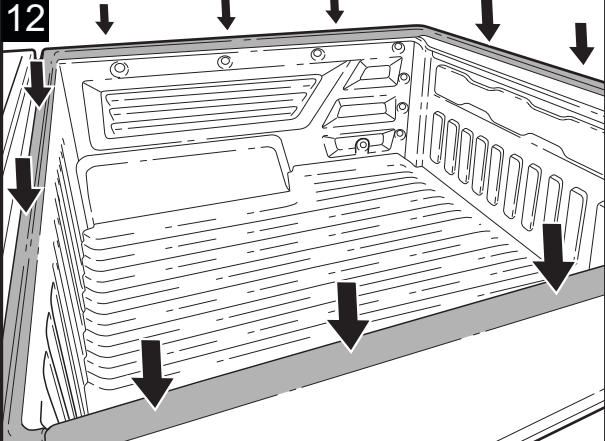
Cavity No.	Wire Colour
1	RED
2	BLUE
3	GREEN
4	GREY
5	YELLOW
6	
7	
8	BLACK



- Route the branch with 16-way connectors (1) across vehicle tub to the RHS and patch into the 16-way connector (2) pair located below the RHS tail lamp.



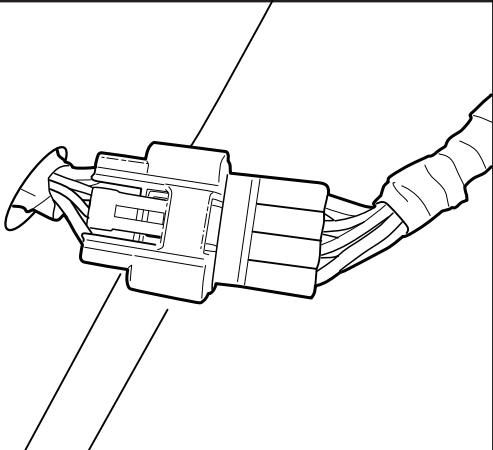
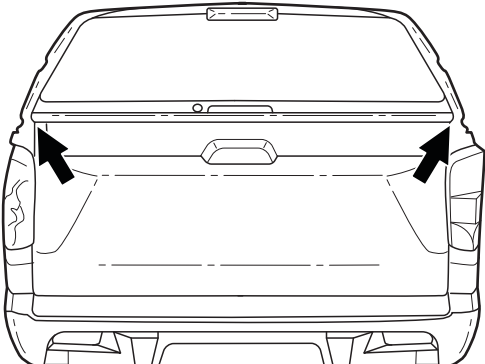
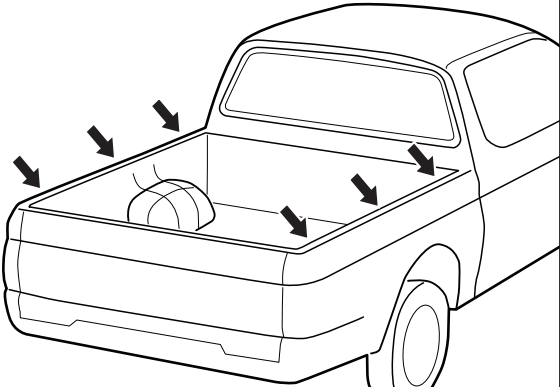
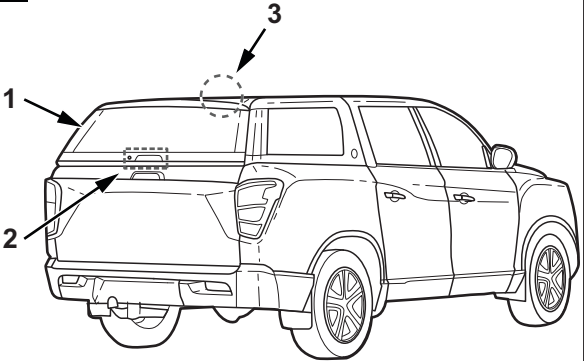
FORD RANGER +2022 / VOLKSWAGEN AMAROK +2023

	<ul style="list-style-type: none"> • Patch demister harness into the one-way demister connector (1) present on the rear window (2).
	<ul style="list-style-type: none"> • Route the other end of the demister harness along LHS rear doorsill and to the grommet under the LHS passenger seat, securing it at every 300mm using supplied cable ties to the existing vehicle harness.
	<ul style="list-style-type: none"> • Under the LHS passenger seat, connect the 3-way connector present on the demister harness (1) with already routed 3-way connector on the chassis harness (2).
	<ul style="list-style-type: none"> • Degrease the bed rail.

FORD RANGER +2022 / VOLKSWAGEN AMAROK +2023

<p>13</p>	<ul style="list-style-type: none"> Apply mounting tape in one piece on the upper side of the bed rail. 	
<p>14</p>	<ul style="list-style-type: none"> Apply silicone in the connections of the front bed area. 	
<p>15</p>	<ul style="list-style-type: none"> Position with 4 people the hardtop with open tailgate on the vehicle. 	
<p>16</p>		<ul style="list-style-type: none"> The rubber of the hardtop tailgate has to slightly touch the car tailgate.

FORD RANGER +2022 / VOLKSWAGEN AMAROK +2023

<p>17</p> 	<ul style="list-style-type: none"> Connect the 8-way female canopy interfacing connector of chassis harness with 8-way male connector on the canopy harness.
<p>18</p> 	<ul style="list-style-type: none"> Close the tailgate of the hardtop and ensure that it fits nicely with the tailgate of the car.
<p>19</p> 	<ul style="list-style-type: none"> Secure the hardtop at the indicated places with the supplied bolts.
<p>20</p> 	<ul style="list-style-type: none"> Test the following points: <ol style="list-style-type: none"> Rear window defroster Central locking system Interior light